

WINCORE™

WINDOWS & DOORS

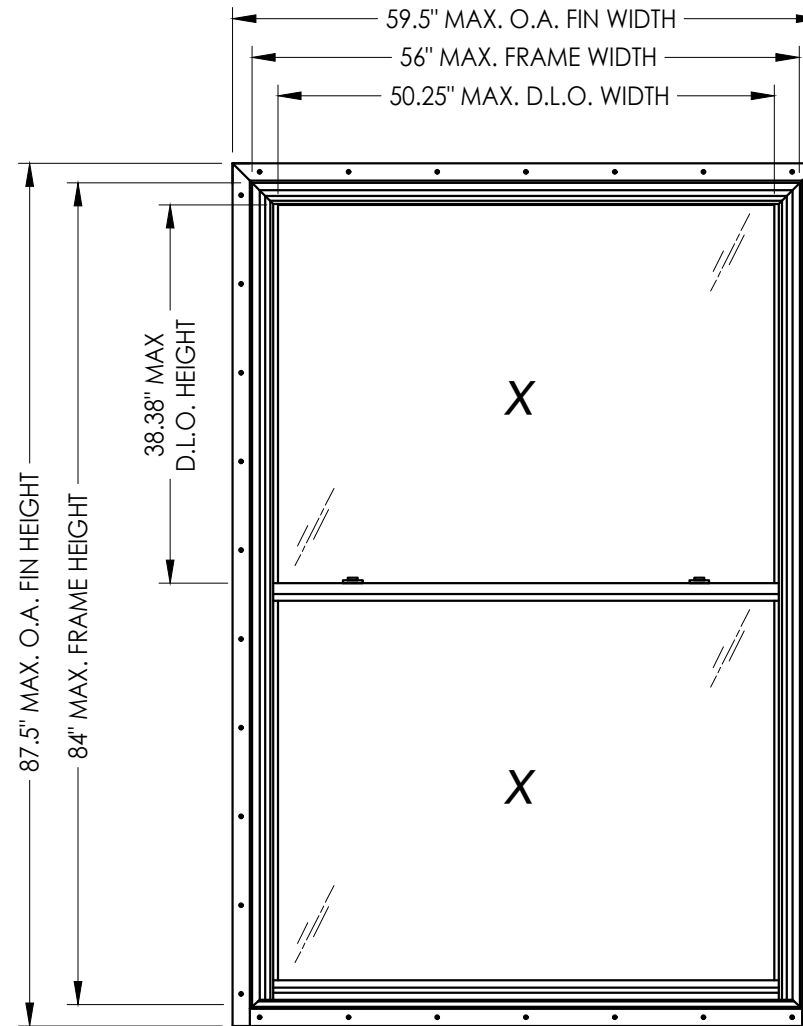
250 Staunton Turnpike, Parkersburg, WV 26104

400 Series Vinyl Double Hung Window w/ Nailing Fin "NON-IMPACT"

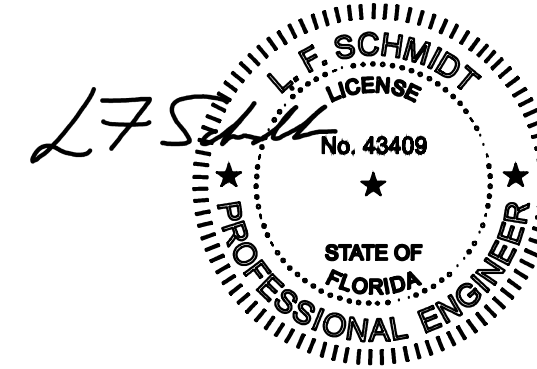
GENERAL NOTES

1. This product has been evaluated and is in compliance with the 8th Edition (2023) Florida Building Code (FBC) structural requirements excluding the "High Velocity Hurricane Zone" (HVHZ).
2. Product anchors shall be as listed and spaced as shown on details. Anchor embedment to base material shall be beyond wall dressing or stucco.
3. When used in areas requiring wind borne debris protection this product is required to be protected with an impact resistant covering that complies with FBC Sections 1609.1.2 & R301.2.1.2.
4. Site conditions that deviate from the details of this drawing require further engineering analysis by a licensed engineer or registered architect.

| TABLE OF CONTENTS | |
|-------------------|--|
| SHEET # | DESCRIPTION |
| 1 | Typical elevations, design pressures and general notes |
| 2 | Horizontal & vertical cross sections |
| 3 | Horizontal & vertical cross sections |
| 4 | Buck and frame anchoring |
| 5 | Components |
| 6 | Bill of materials & glazing details |



| MAX. FRAME DIMENSION | MAX. D.L.O. DIMENSION | GLASS TYPE | REINFORCEMENT LOCATIONS | DESIGN PRESSURE (PSF) | |
|----------------------|-----------------------|------------|-------------------------|-----------------------|----------|
| | | | | POSITIVE | NEGATIVE |
| 44.0" X 60.0" | 38.25" X 26.38" | G1 | None | +35.0 | -35.0 |
| 32.0" X 78.0" | 26.25" X 35.38" | G1 | None | +45.0 | -45.0 |
| 40.0" X 68.0" | 34.25" X 30.38" | G2 | None | +30.0 | -30.0 |
| 44.0" X 72.0" | 38.25" X 32.38" | G1 | Mtg. Rail / Lock Rail | +30.0 | -30.0 |
| 52.0" X 63.0" | 46.25" X 27.88" | G1 | Mtg. Rail / Lock Rail | +30.0 | -30.0 |
| 36.0" X 72.0" | 30.25" X 32.38" | G1 | All Rails & Stiles | +45.0 | -45.0 |
| 36.0" X 68.0" | 30.25" X 30.38" | G1 | All Rails & Stiles | +50.0 | -50.0 |
| 38.0" X 59.0" | 32.25" X 25.88" | G1 | Mtg. Rail / Lock Rail | +50.0 | -50.0 |
| 46.0" X 77.0" | 40.25" X 34.88" | G1 | All Rails & Stiles | +35.0 | -35.0 |
| 56.0" X 84.0" | 50.25" X 38.38" | G1 | All Rails & Stiles | +15.0 | -15.0 |



This item has been digitally signed and sealed by L. F. Schmidt, P.E. on the date adjacent to the seal. Printed copies of this document are not considered signed and sealed and the signature must be verified on any electronic copies.

THIS PRODUCT APPROVAL IS VALID ONLY FOR THE STATE OF FLORIDA

Documents Prepared By:
Lyndon F. Schmidt
P.E. No. 43409

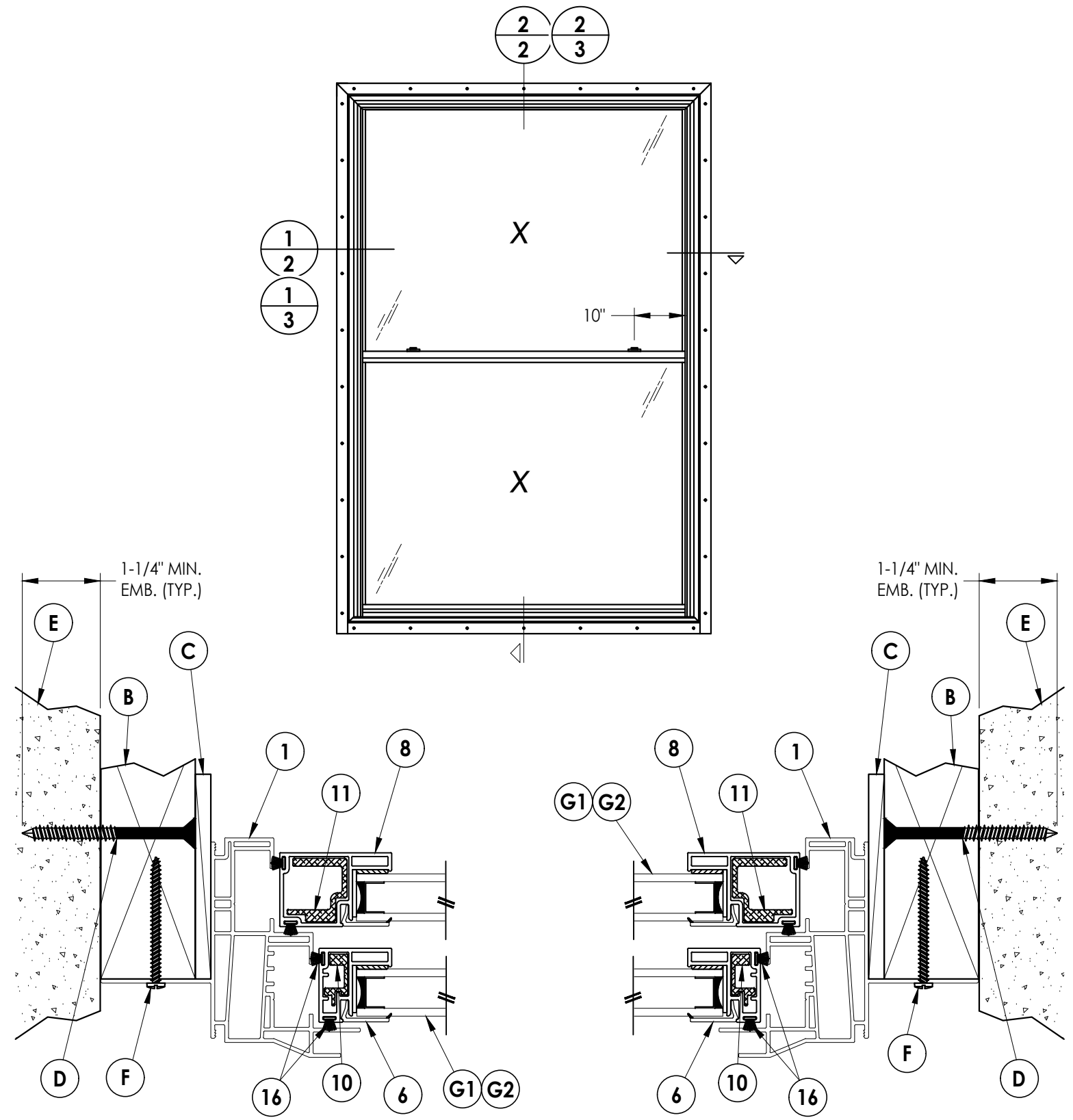
PRODUCT: 400 SERIES Vinyl Double Hung Window
PART OR ASSEMBLY: TYPICAL ELEVATION, DESIGN PRESSURES & GENERAL NOTES

| NO. | DATE | REVISIONS |
|-----|---------|------------------------------|
| 5 | 7/06/23 | UPDATE TO 8TH ED. (2023) FBC |
| 4 | 7/02/20 | UPDATE TO 7TH ED. (2020) FBC |
| 3 | 6/01/17 | UPDATE TO 6TH ED. (2017) FBC |
| 2 | 2/09/16 | ADD NEW FRAME SIZES |
| 1 | 1/27/15 | UPDATE TO 5TH ED. (2014) FBC |

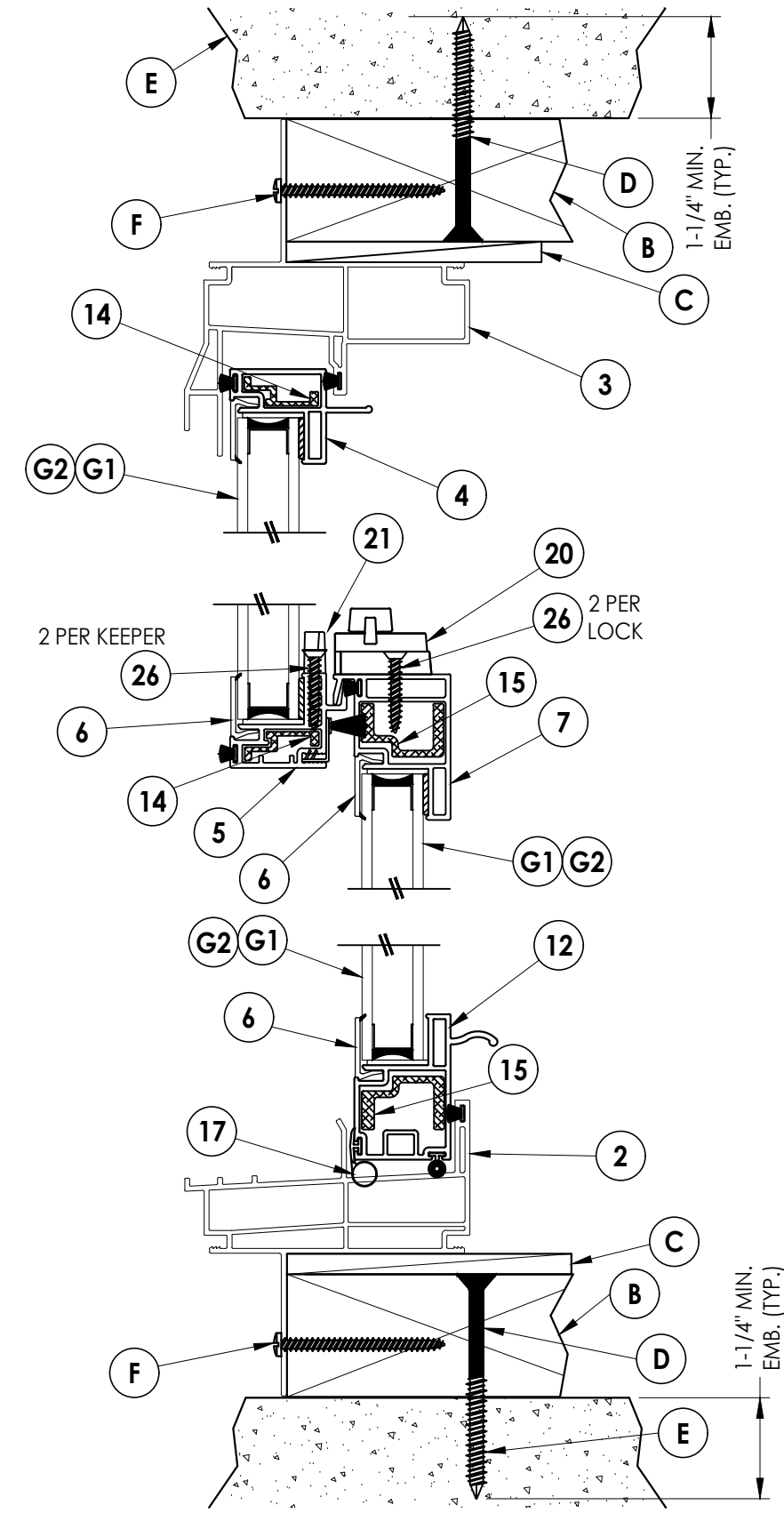
DATE: 7/1/13
SCALE: N.T.S.
DWG. BY: JK
CHK. BY: LFS
DRAWING NO.: FL-15819.4
SHEET 1 OF 6

BUILDING CONSULTANTS, INC.
P.O. Box 230, Valrico, FL 33595
Phone No.: 813.659.9197
FBPE Registry No. 9813

© 2013 R.W. BUILDING CONSULTANTS INC.



1 HORIZONTAL CROSS SECTION



2 VERTICAL CROSS SECTION

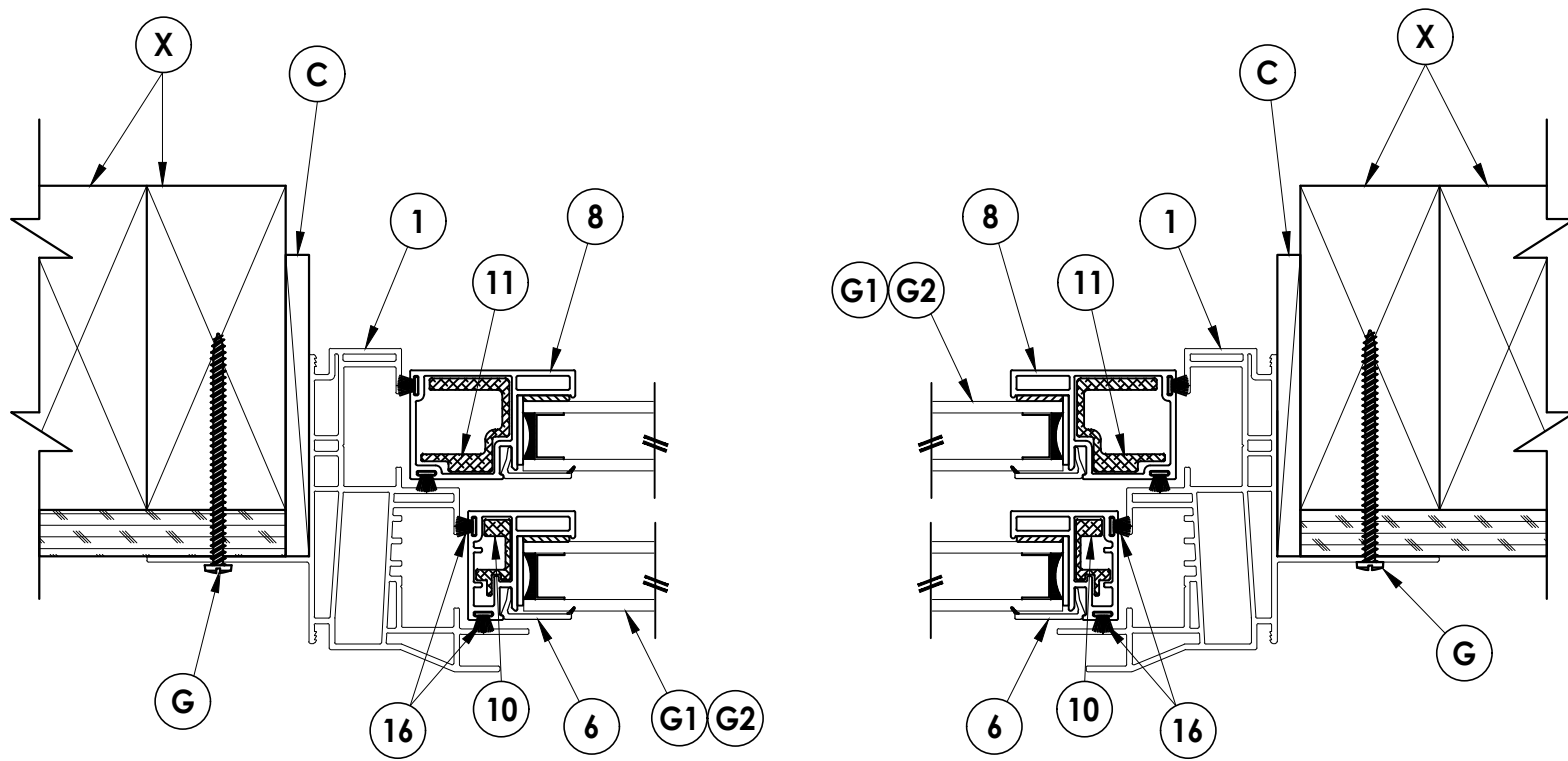
| | |
|--------------|------------|
| DATE: | 7/1/13 |
| SCALE: | N.T.S. |
| DWG. BY: | JK |
| CHK. BY: | LFS |
| DRAWING NO.: | FL-15819.4 |
| SHEET | 2 OF 6 |

| NO. | DATE | REVISIONS |
|-----|---------|------------------------------|
| 5 | 7/06/23 | UPDATE TO 8TH ED. (2023) FBC |
| 4 | 7/02/20 | UPDATE TO 7TH ED. (2020) FBC |
| 3 | 6/01/17 | UPDATE TO 6TH ED. (2017) FBC |
| 2 | 2/09/16 | ADD NEW FRAME SIZES |
| 1 | 1/27/15 | UPDATE TO 5TH ED. (2014) FBC |

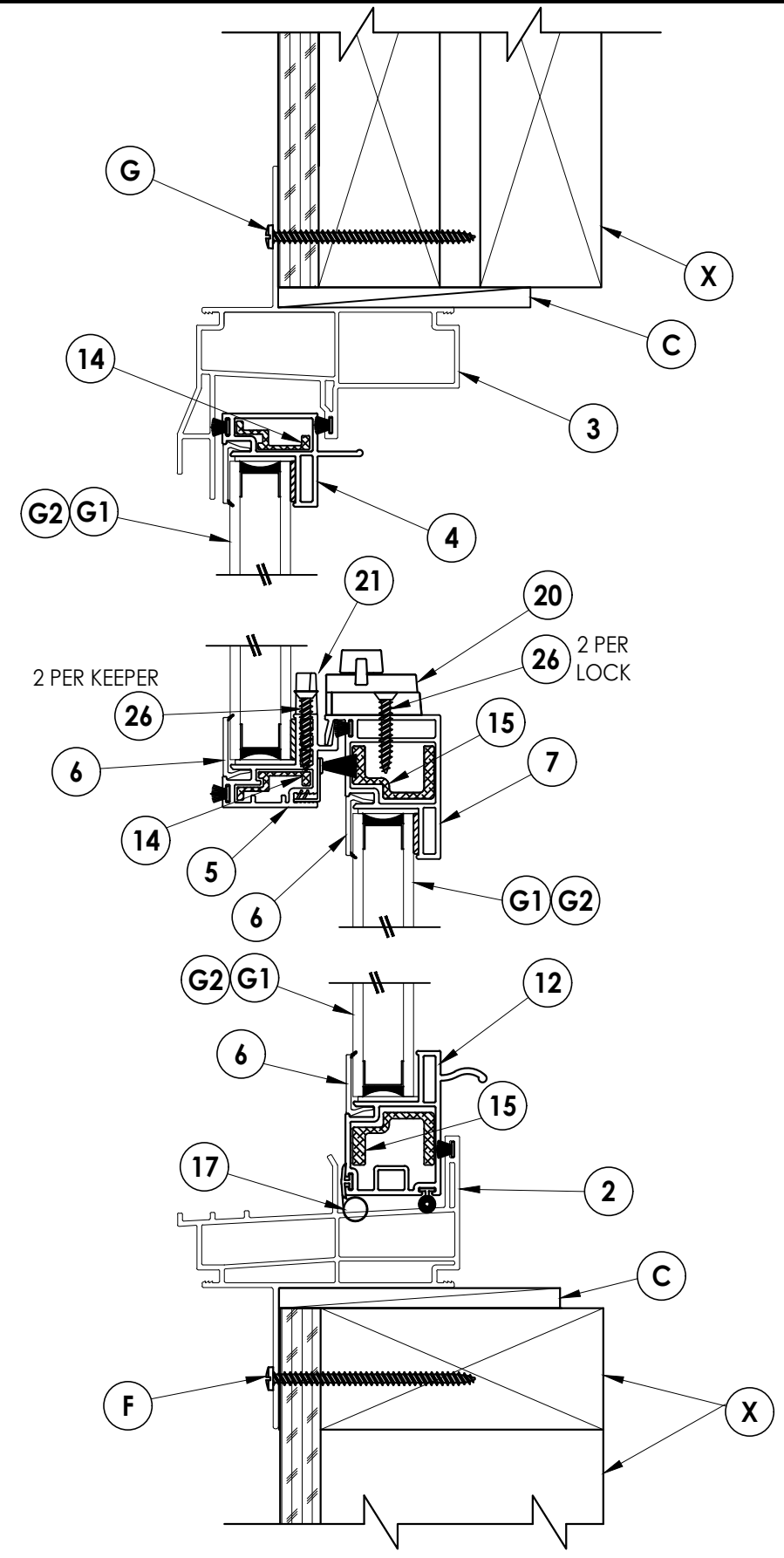
| | |
|-------------------|---|
| PRODUCT: | 400 SERIES Vinyl Double Hung Window |
| PART OR ASSEMBLY: | HORIZONTAL AND VERTICAL CROSS SECTIONS |

Documents Prepared By:
Lyndon F. Schmidt
P.E. No. 4-3409

RW BUILDING CONSULTANTS, INC.
P.O. Box 230, Valrico, FL 33595
Phone No.: 813.659.9197
FBPE Registry No. 9813



1 HORIZONTAL CROSS SECTION
3 Stud Construction



2 VERTICAL CROSS SECTION
3 Stud Construction

Documents Prepared By:
 Lyndon F. Schmidt
 P.E. No. 43409

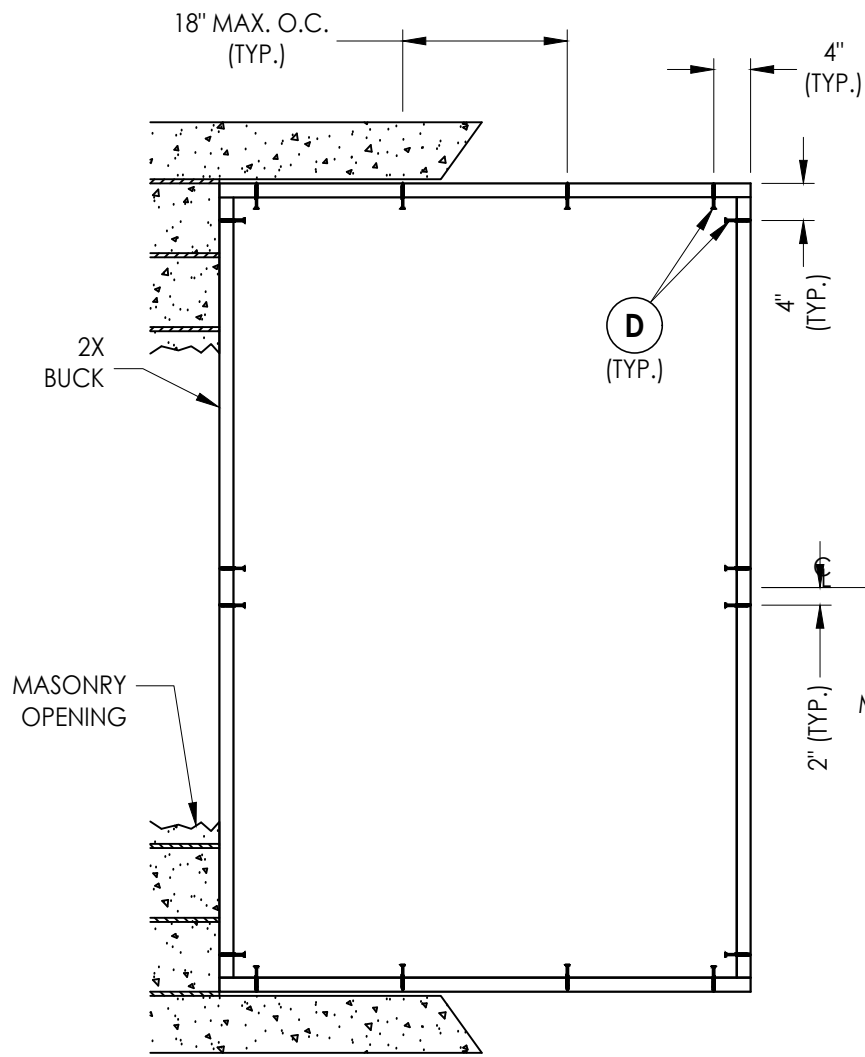
RW BUILDING CONSULTANTS, INC.
 P.O. Box 230, Valrico, FL 33595
 Phone No.: 813.659.9197
 FBPE Registry No. 9813

PRODUCT:
 400 SERIES
 Vinyl Double Hung Window

PART OR ASSEMBLY:
 HORIZONTAL AND VERTICAL
 CROSS SECTIONS

| NO. | DATE | REVISIONS | BY |
|-----|---------|--------------------------|---------|
| 5 | 7/06/23 | UPDATE TO 8TH ED. (2023) | FBC LFS |
| 4 | 7/02/20 | UPDATE TO 7TH ED. (2020) | FBC LFS |
| 3 | 6/01/17 | UPDATE TO 6TH ED. (2017) | FBC LFS |
| 2 | 2/09/16 | ADD NEW FRAME SIZES | FBC LFS |
| 1 | 1/27/15 | UPDATE TO 5TH ED. (2014) | FBC LFS |

DATE: 7/1/13
 SCALE: N.T.S.
 DWG. BY: JK
 CHK. BY: LFS
 DRAWING NO.:
 FL-15819.4
 SHEET 3 OF 6



BUCK ANCHORING

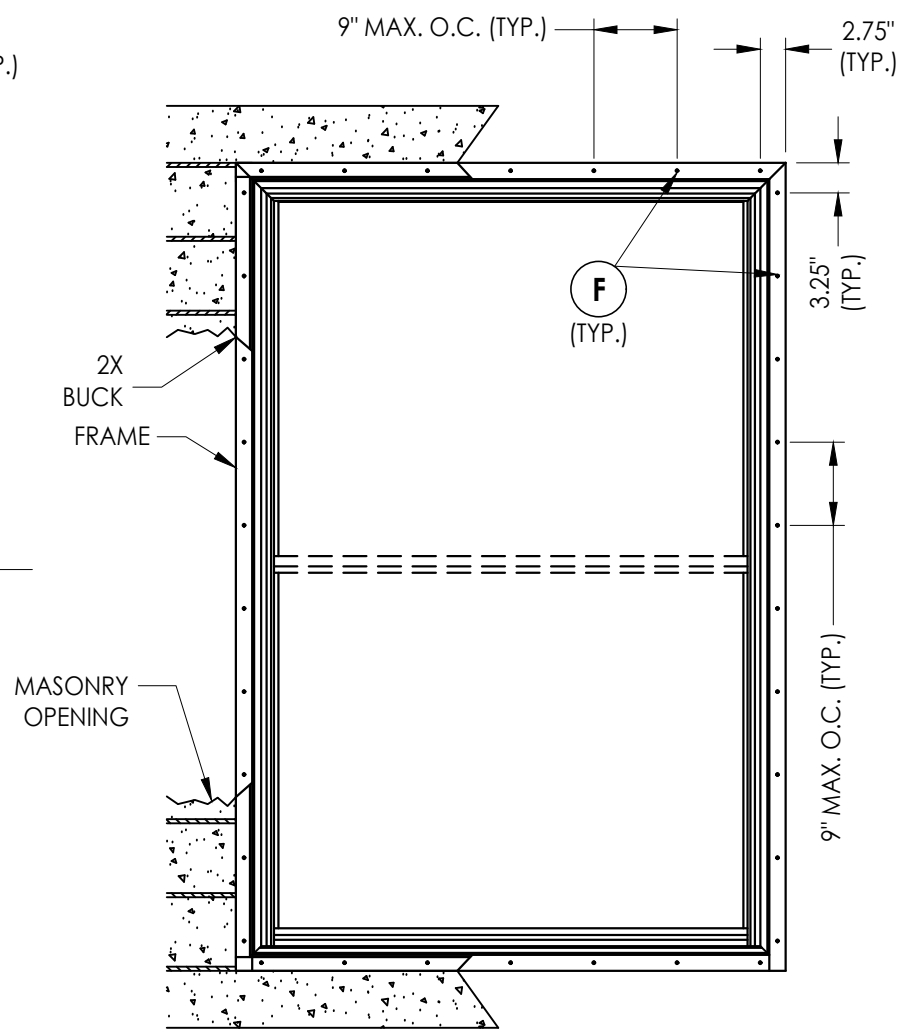
CONCRETE ANCHOR NOTES:

1. Concrete anchor locations at the corners may be adjusted to maintain the min. edge distance to mortar joints.
2. Concrete anchor locations noted as "MAX. ON CENTER" must be adjusted to maintain the min. edge distance to mortar joints, additional concrete anchors may be required to ensure the "MAX. ON CENTER" dimensions are not exceeded.
3. Concrete anchor table:

| ANCHOR TYPE | ANCHOR SIZE | MIN. EMBEDMENT | MIN. CLEARANCE TO MASONRY EDGE | MIN. CLEARANCE TO ADJACENT ANCHOR |
|------------------|-------------|----------------|--------------------------------|-----------------------------------|
| ITW TAPCON® | 1/4" | 1-1/4" | 2" | 4" |
| DeWALT ULTRACON® | 1/4" | 1-1/4" | 1" | 4" |

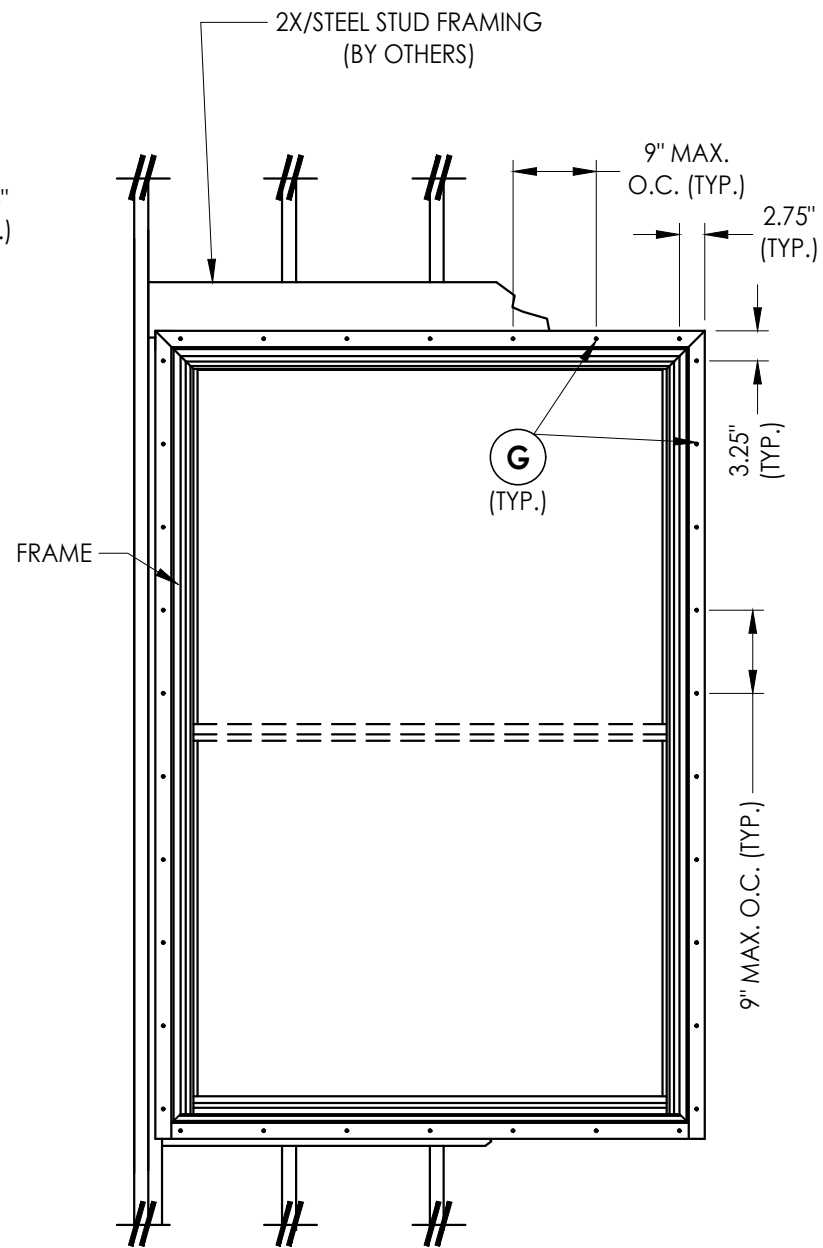
WOOD SCREW INSTALLATION NOTES:

1. Maintain a minimum 5/8" edge distance, 1" end distance, & 1" o.c. spacing of wood screws to prevent the splitting of wood.



FRAME ANCHORING

2X Buck



FRAME ANCHORING

Stud Construction

Documents Prepared By:
Lyndon F. Schmidt
P.E. No. 43409

PRODUCT:
400 SERIES
Vinyl Double Hung Window

PART OR ASSEMBLY:
BUCK AND
FRAME ANCHORING

| NO. | DATE | REVISIONS | BY |
|-----|---------|--------------------------|-----|
| 5 | 7/06/23 | UPDATE TO 8TH ED. (2023) | FBC |
| 4 | 7/02/20 | UPDATE TO 7TH ED. (2020) | FBC |
| 3 | 6/01/17 | UPDATE TO 6TH ED. (2017) | FBC |
| 2 | 2/09/16 | ADD NEW FRAME SIZES | LFS |
| 1 | 1/27/15 | UPDATE TO 5TH ED. (2014) | FBC |

DATE: 7/1/13

SCALE: N.T.S.

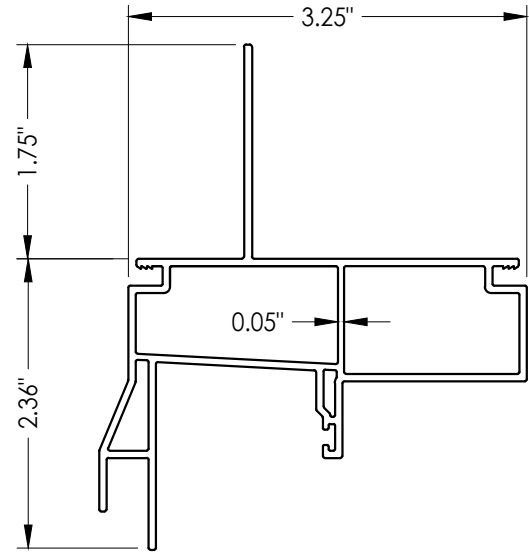
DWG. BY: JK

CHK. BY: LFS

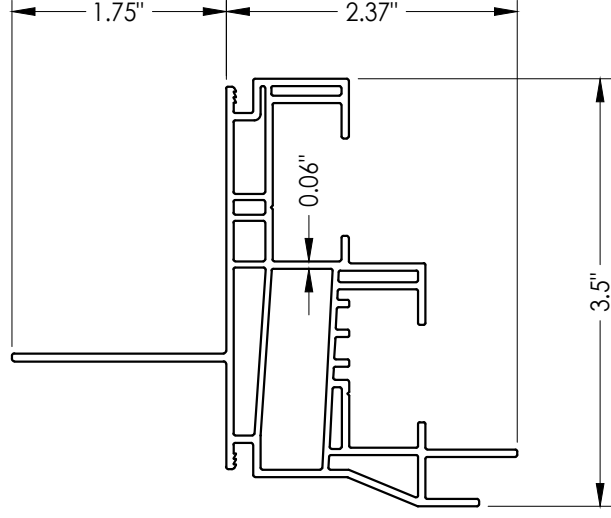
DRAWING NO.:
FL-15819.4

SHEET 4 OF 6

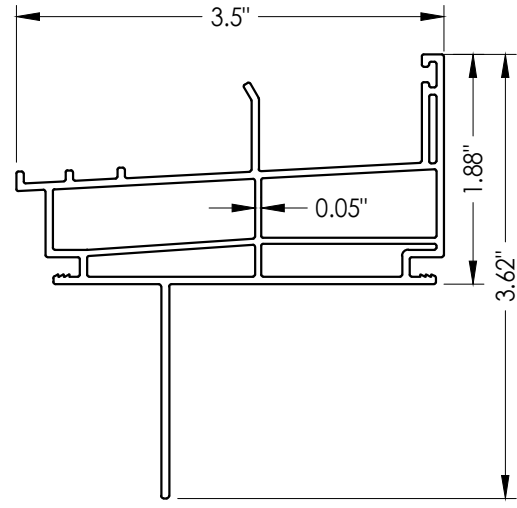
RW BUILDING CONSULTANTS, INC.
P.O. Box 230, Valrico, FL 33595
Phone No.: 813.659.9197
FBPE Registry No. 9813



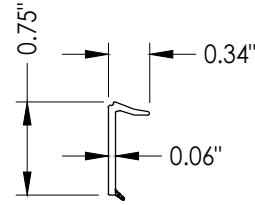
3 FRAME HEAD



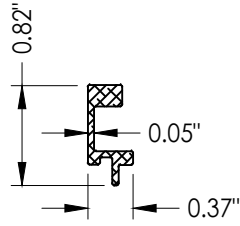
1 FRAME JAMB



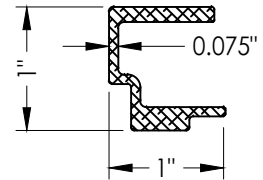
2 FRAME SILL



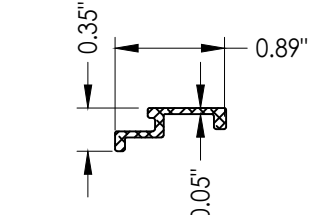
6 GLAZING BEAD



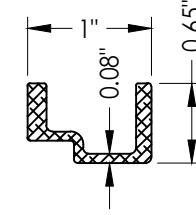
10 REINFORCEMENT
Alum.



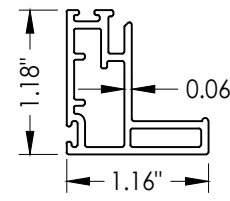
11 REINFORCEMENT
Alum.



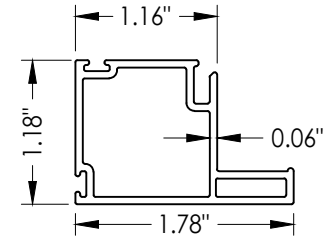
14 REINFORCEMENT
Alum.



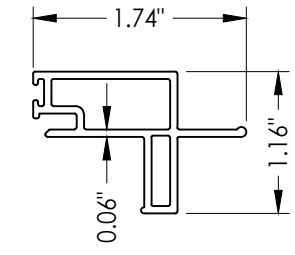
15 REINFORCEMENT
Alum.



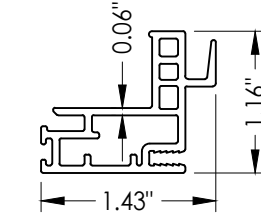
9 UPPER SASH STILE



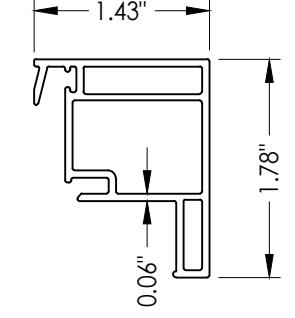
8 LOWER SASH STILE



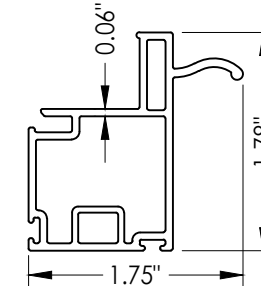
4 TOP RAIL
Upper Sash



5 KEEPER RAIL
Upper Sash



7 LOCK RAIL
Lower Sash



12 BOTTOM RAIL
Lower Sash

Documents Prepared By:
Lyndon F. Schmidt
P.E. No. 43409

RW BUILDING CONSULTANTS, INC.
P.O. Box 230, Valrico, FL 33595
Phone No.: 813.659.9197
FBPE Registry No. 9813

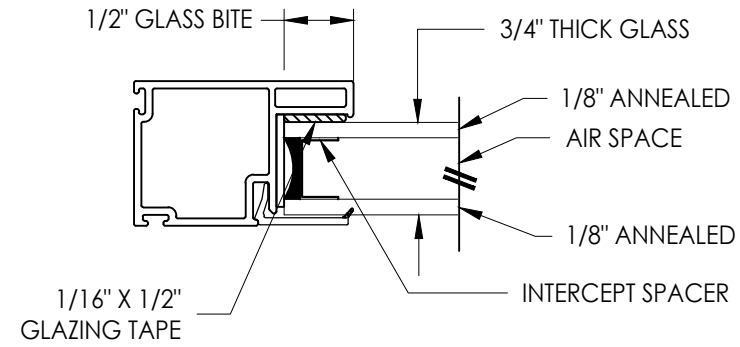
PRODUCT:
400 SERIES
Vinyl Double Hung Window
PART OR ASSEMBLY:
COMPONENTS

| NO. | DATE | REVISIONS |
|-----|---------|----------------------------------|
| 5 | 7/06/23 | UPDATE TO 8TH ED. (2023) FBC LFS |
| 4 | 7/02/20 | UPDATE TO 7TH ED. (2020) FBC LFS |
| 3 | 6/01/17 | UPDATE TO 6TH ED. (2017) FBC LFS |
| 2 | 2/09/16 | ADD NEW FRAME SIZES LFS |
| 1 | 1/27/15 | UPDATE TO 5TH ED. (2014) FBC LFS |

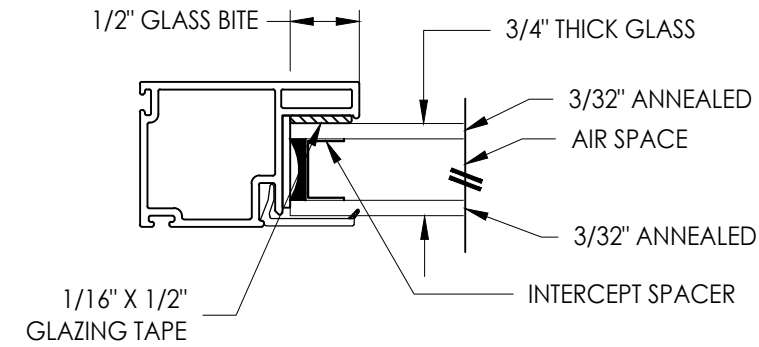
DATE: 7/1/13
SCALE: N.T.S.
DWG. BY: JK
CHK. BY: LFS
DRAWING NO.: FL-15819.4
SHEET 5 OF 6

| BILL OF MATERIALS | | |
|-------------------|--|----------|
| ITEM # | DESCRIPTION | MATERIAL |
| B | 2X BUCK (SG >= 0.42) | WOOD |
| C | 1/4" MAX. SHIM SPACE | - |
| D | 1/4" X 2-3/4" PFH DeWALT OR ITW CONCRETE SCREW | STEEL |
| E | MASONRY - 3,000 PSI MIN. CONCRETE CONFORMING TO ACI 301 OR HOLLOW BLOCK CONFORMING TO ASTM C90 | CONCRETE |
| F | #8 X 2" PPH WOOD SCREW (1-3/4" MIN. EMBEDMENT) | STEEL |
| G | #8 X 2-1/2" PPH WOOD SCREW (2-1/4" MIN. EMBEDMENT) | STEEL |
| X | 2X FRAMING (SG => 0.42) | WOOD |
| 1 | FRAME JAMB* | PVC |
| 2 | SILL* | PVC |
| 3 | FRAME HEAD* | PVC |
| 4 | TOP RAIL UPPER SASH* | PVC |
| 5 | KEEPER RAIL UPPER SASH* | PVC |
| 6 | GLAZING BEAD* | PVC |
| 7 | LOCK RAIL LOWER SASH* | PVC |
| 8 | LOWER SASH STILE* | PVC |
| 10 | REINFORCEMENT (6063-T6 ALUM) | STEEL |
| 11 | REINFORCEMENT (6063-T6 ALUM) | STEEL |
| 12 | BOTTOM RAIL LOWER SASH* | PVC |
| 14 | REINFORCEMENT (6063-T6 ALUM) | ALUM |
| 15 | REINFORCEMENT (6063-T6 ALUM) | ALUM |
| 16 | WEATHERSTRIP ULTRA FAB .270 PILE - 270 -1875B | - |
| 17 | WEATHERSTRIP SILLBULB (AMESBURY 32690) | - |
| 20 | LOCK | - |
| 21 | KEEPER | - |
| 26 | #8 X 1" TEK SCREW | STEEL |

* THE APPROVED WHITE RIGID PVC EXTERIOR EXTRUSIONS FOR WINDOWS ARE TO BE PRODUCED BY EXTRUDERS LICENSEES IN "AAMA CERTIFICATION PROGRAMS FOR RIGID PVC EXTRUSIONS".



G1 GLAZING DETAIL



G2 GLAZING DETAIL

Documents Prepared By:
Lyndon F. Schmidt
P.E. No. 4-3409

RW BUILDING CONSULTANTS, INC.
P.O. Box 230, Valrico, FL 33595
Phone No.: 813.659.9197
FBPE Registry No. 9813

PRODUCT:
400 SERIES
Vinyl Double Hung Window

PART OR ASSEMBLY:
BILL OF MATERIALS
& GLAZING DETAILS

| NO. | DATE | REVISIONS |
|-----|---------|------------------------------|
| 5 | 7/06/23 | UPDATE TO 8TH ED. (2023) FBC |
| 4 | 7/02/20 | UPDATE TO 7TH ED. (2020) FBC |
| 3 | 6/01/17 | UPDATE TO 6TH ED. (2017) FBC |
| 2 | 2/09/16 | ADD NEW FRAME SIZES |
| 1 | 1/27/15 | UPDATE TO 5TH ED. (2014) FBC |
| | | BY |

DATE: 7/1/13
SCALE: N.T.S.
DWG. BY: JK
CHK. BY: LFS
DRAWING NO.: FL-15819.4
SHEET 6 OF 6